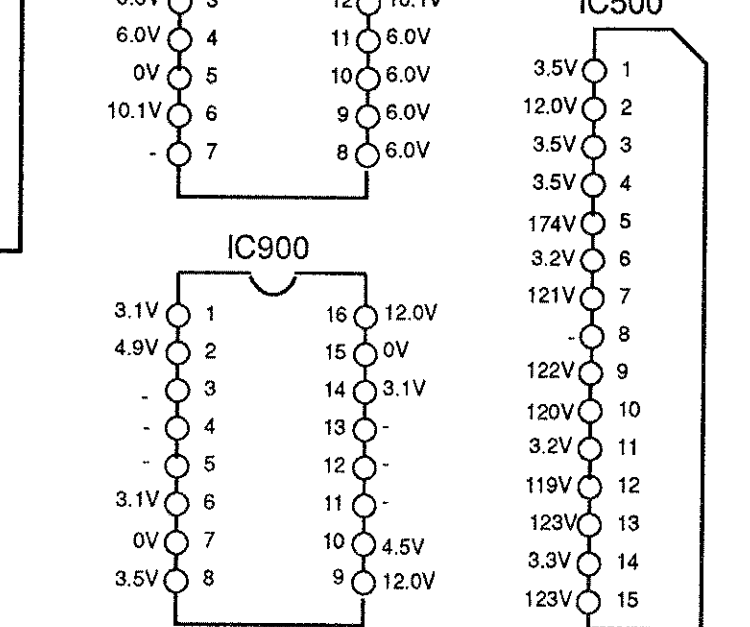
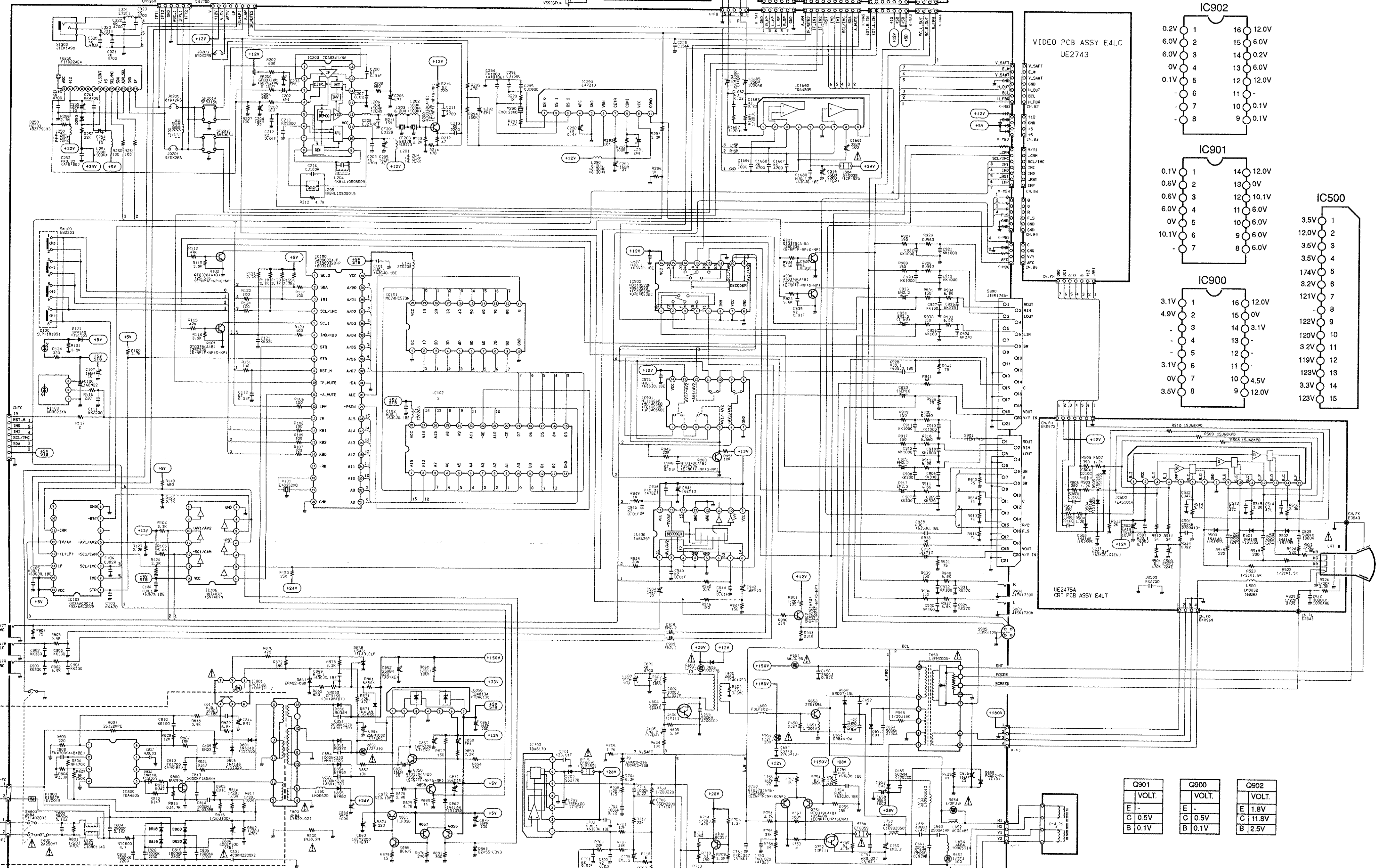
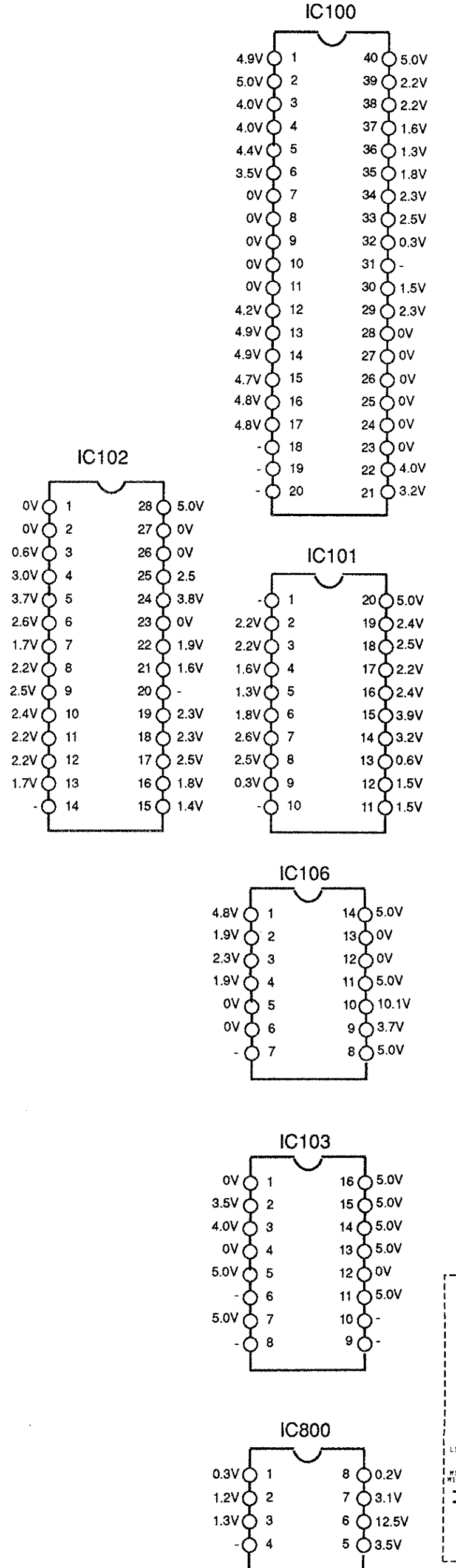


Q101	Q102	Q200
VOLT.	VOLT.	VOLT.
E -	E -	E 3.1V
C 4.9V	C 4.9V	C 9.0V
B 0V	B 0V	B 3.8V

MODEL	C652	CRT	L1901
CEP2576D	1.5KV0.013 μ F	A59ECF10X05	LJ0168CJA,L80105CJA,L80123CJA
CEP2876D	1.5KV0.0137 μ F	A66ECF10X05	LJ0169CJA,L80099CJA,L80122CJA



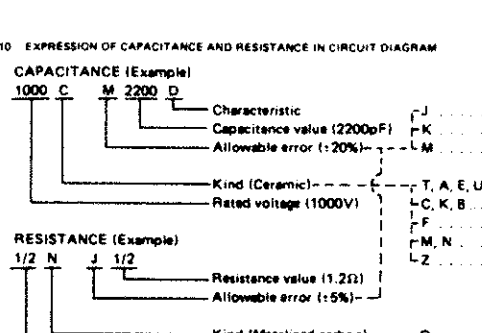
Q901	Q800	Q902
VOLT.	VOLT.	VOLT.
E -	E -	E 1.8V
C 0.5V	C 0.5V	C 11.8V
B 0.1V	B 0.1V	B 2.5V

Q850	Q851	Q855	IC850	Q857	Q858	Q856	IC700	Q800	Q700	Q750	Q751	Q752
VOLT.	VOLT.	VOLT.		VOLT.	VOLT.	VOLT.		VOLT.	VOLT.	VOLT.	VOLT.	VOLT.
E -	E 6.8V	E 0.3V	11.3V	E 5.7	E 5.0V	E 5.7	2.2V	E -	E 11.5V	E 4.1V	E 4.1V	E -
C 15.1V	C 5.1V	C 5.9V	15.1V	C 0.9V	C 0V	C 5.0V	12.6V	C -	C 3.8V	C 3.4V	C 3.5V	C 11.7V
B 0V	B 5.9V	B 0.9V	15.1V	B 5.1V	B 7.5V	B 5.0V	12.6V	B 0.9V	B 12.0V	B 3.4V	B 3.5V	B 1.0V
							5.0V					

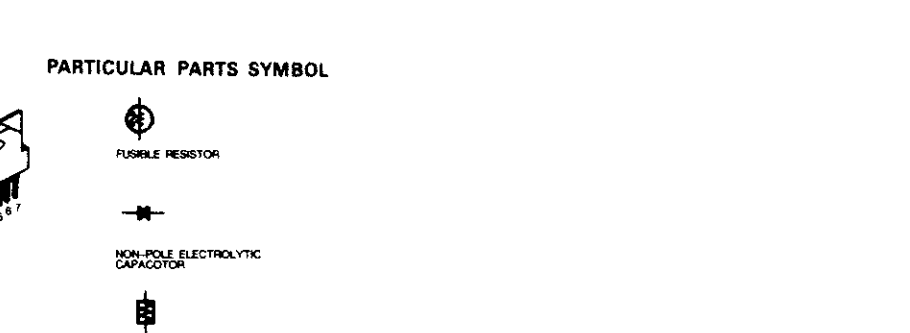
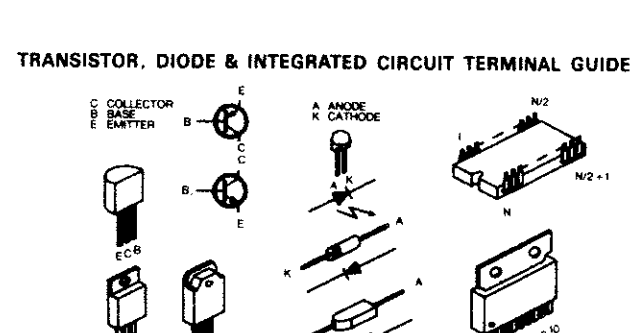
SERVICE PRECAUTION:
THE AREA ENCLOSED BY THIS LINE IS DIRECTLY CONNECTED WITH AC MAINS VOLTAGE. BEFORE SERVICING THE AREA, CONNECT AN ISOLATING TRANSFORMER BETWEEN TV RECEIVER AND AC LINE TO ELIMINATE HAZARD OF ELECTRIC SHOCK.

PRODUCT SAFETY NOTICE:
PRODUCT SAFETY SHOULD BE CONSIDERED BEFORE COMPONENT REPLACEMENT IS MADE. IN AN AREA OF A RECEIVER, COMPONENTS INDICATED BY A MARK IN THIS CIRCUIT DIAGRAM SHOW COMPONENTS WHOSE VALUE HAVE SPECIAL SIGNIFICANCE TO PRODUCT SAFETY. IT IS PARTICULARLY RECOMMENDED THAT ONLY PARTS SPECIFIED ON THE PARTS LIST OF SERVICE MANUAL BE USED FOR COMPONENT REPLACEMENT POINTED OUT BY THE MARK.

- CIRCUIT DIAGRAM NOTES:**
- ALL RESISTANCE VALUES ARE IN OHMS, K = 1,000, M = 1,000,000.
 - WHERE COMPONENT REPLACEMENT IS MADE, EXCEPTING ELECTROLYTIC CAPACITORS, ALL CAPACITANCE VALUES OF LESS THAN 1 ARE EXPRESSED IN PICO FARADS (PF).
 - ELECTROLYTIC CAPACITANCE VALUES ARE IN μ F.
 - ALL INDUCTIVE VALUES ARE IN μ H.
 - VOLTAGE READINGS TAKEN WITH TV SET AND FROM POINT INDICATED TO CHASSIS GROUND. VOLTAGE READINGS TAKEN BY USING A 500-ohm SIGNAL SOURCE AND A WIDE BAND SWEEP GENERATOR.
 - BAND PASS FILTER CHARACTERISTICS ARE GIVEN IN THE LIST OF PARTS.
 - VOLTAGE AND WAVEFORM VALUES OF TRANSISTORS IN THE AREA ENCLOSED BY LINE IN THIS DIAGRAM ARE BASED ON REPRESENTATIVE CHASSIS ONLY.
 - THIS CIRCUIT DIAGRAM COVERS A BASIC OR REPRESENTATIVE CHASSIS ONLY. THERE MAY BE SOME COMPONENTS OR PARTIAL CIRCUIT DIFFERENCES BETWEEN THE ACTUAL CHASSIS AND THE CIRCUIT DIAGRAM.



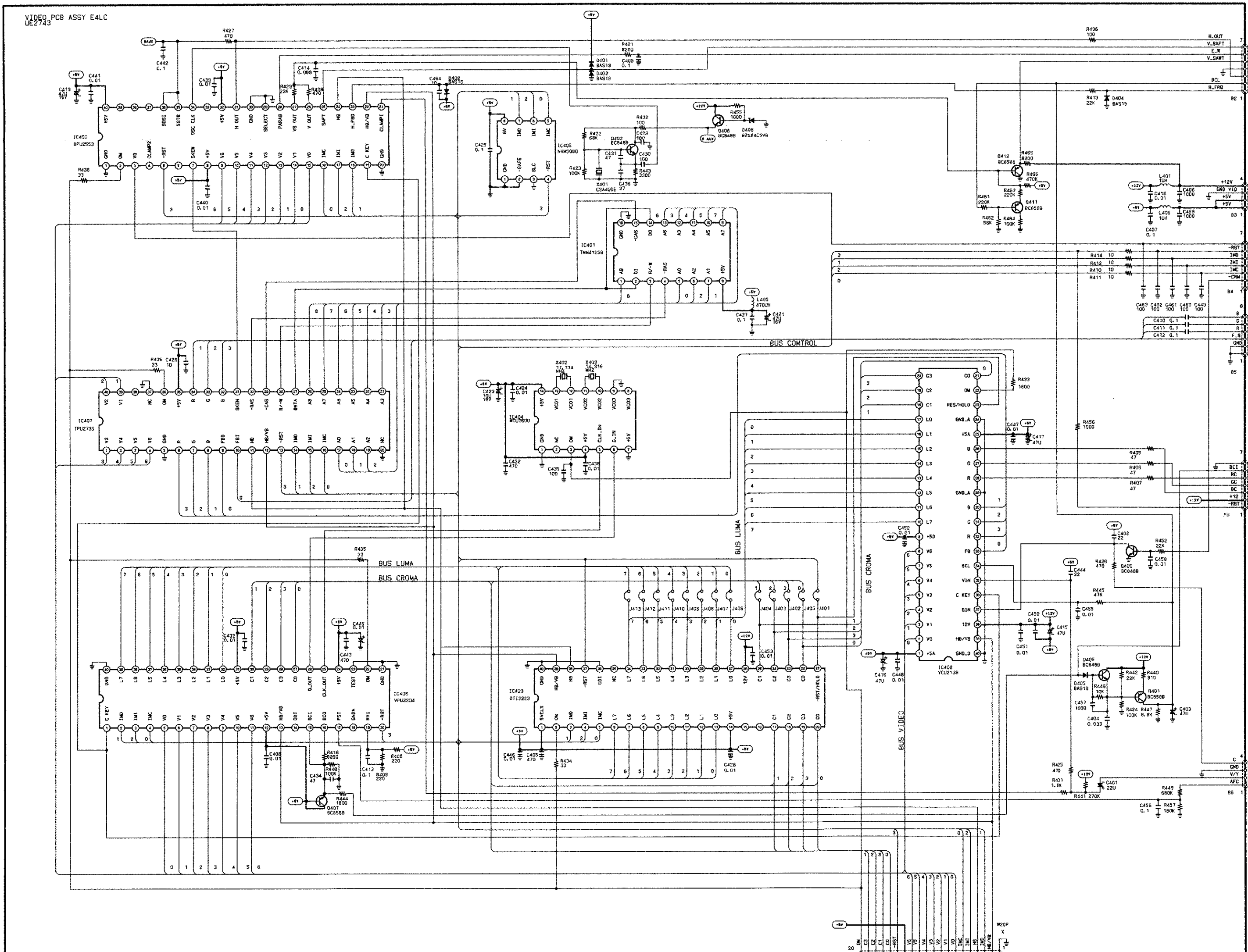
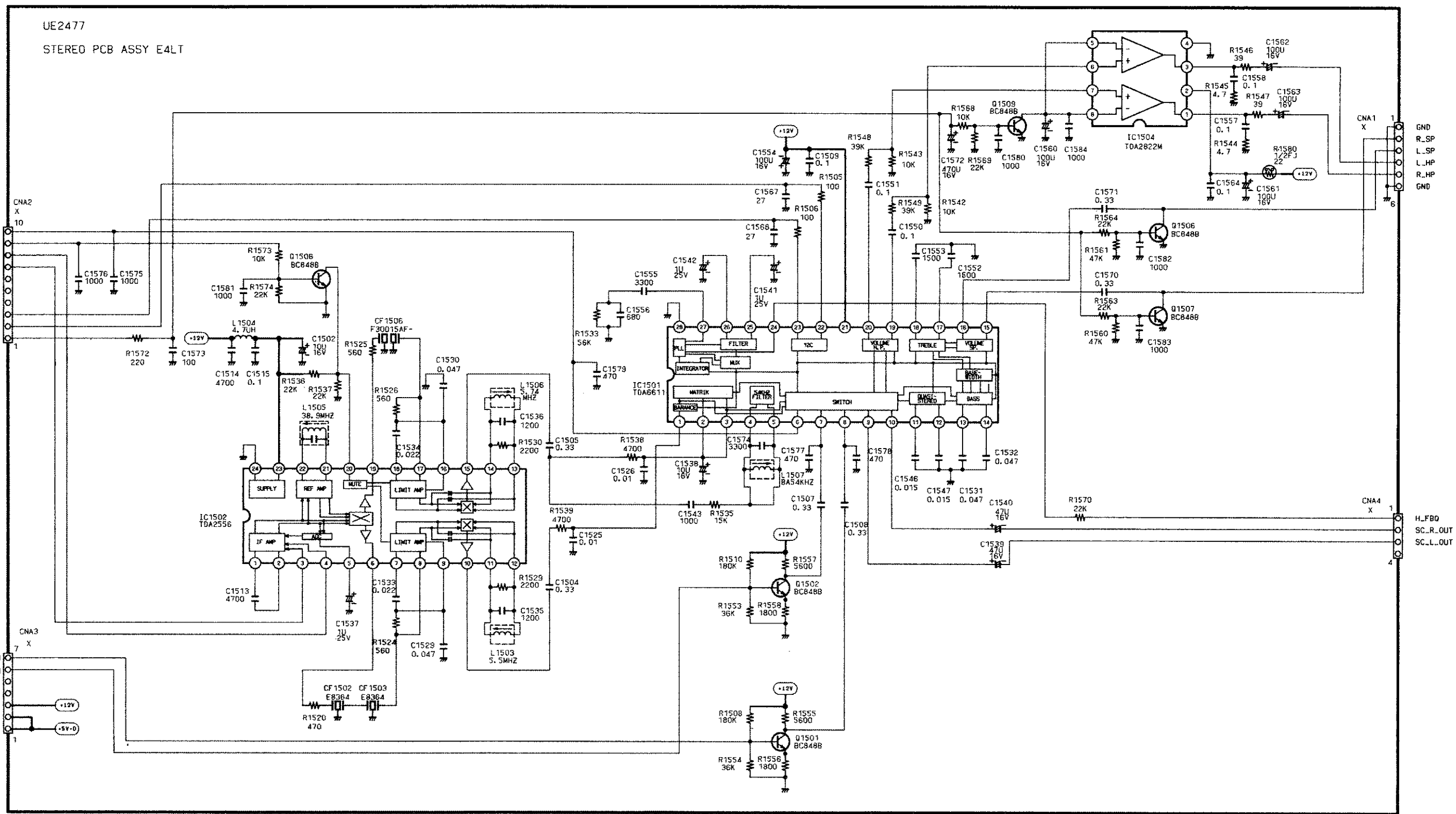
- TRANSDUCER AND OTHER SYMBOLS**
11. DIODE 1S5656 MAY BE REPLACED WITH 1S2473, 1S2076 OR DS442 UNLESS OTHERWISE NOTED.
- TRANSISTOR 2S2206 (E, F, G) MAY BE REPLACED WITH 2S2140S (G, S), 2S2170 (G, S), 2S2084 (G, S), 2S2181S (G, S) UNLESS OTHERWISE NOTED.
- TRANSISTOR 2S4809 (E, F) MAY BE REPLACED WITH 2S4833 (G, S), 2S4844 (G, S), 2S4810 (G, S) UNLESS OTHERWISE NOTED.



COLOUR TELEVISION EDO CHASSIS SERIES

SANYO SERVICE REF. NO. CEP2576D-00 CEP2876D-00

Part No. 4AA6P200312A- E4LTD-A



Q404

VOLT.
E 3.1V
C -
B 2.5V

Q403

VOLT.
E 3.2V
C 4.9V
B 2.8V

Q408

VOLT.
E 5.2V
C 11.9V
B 4.6V

Q412

VOLT.
E 2.7V
C -
B 2.1V

Q411

VOLT.
E 0.9V
C 0.2V
B 0.7V

Q406

VOLT.
E -
C 0V
B 0.6V

Q405

VOLT.
E 9.9V
C 11.9V
B 9.9V

Q401

VOLT.
E 10.5V
C 8.9V
B 9.9V

Q407

VOLT.
E 1.6V
C 4.9V
B 4.9V